

KEY:

- PINK: PHYSICAL INTERFACE
- GREEN: CORE SERVICE
- BLUE: PRIMARY PERIPHERAL
- YELLOW: SIGNAL CONDITIONING
- RED: POWER SERVICE

BOLD: CORE

SV0 SUPPLY VOLTAGE

SV0 IO SIGNAL VOLTAGE

PCB1
SODIMM Bank PCB
Pinout Circuit Board (Base)

Title		
Size	Number	Revision
A2		
Date:	3/09/2011	Sheet of
File:	C:\SRK\ESOM10 - OMAP-3530\DATA\Sh...	8

1

2

3

4

A

A

B

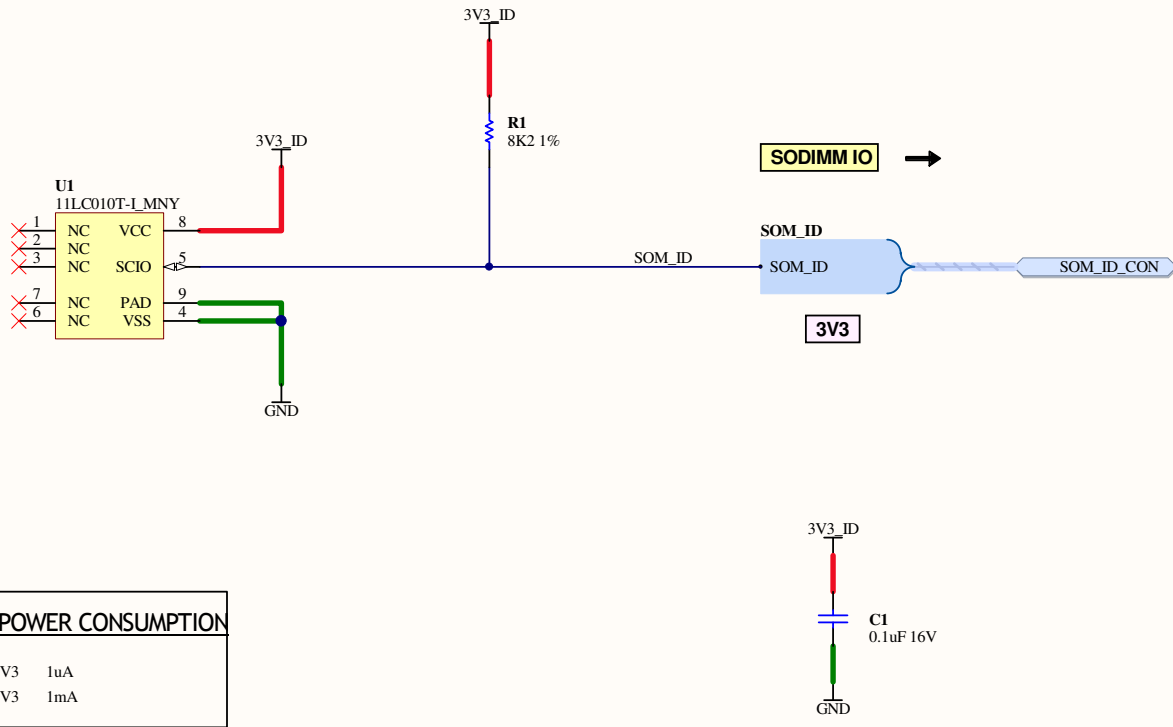
B

C

C

D

D



11LC010T-I_MNY POWER CONSUMPTION			
STANDBY:	3V3	1uA	
ACTIVE:	3V3	1mA	

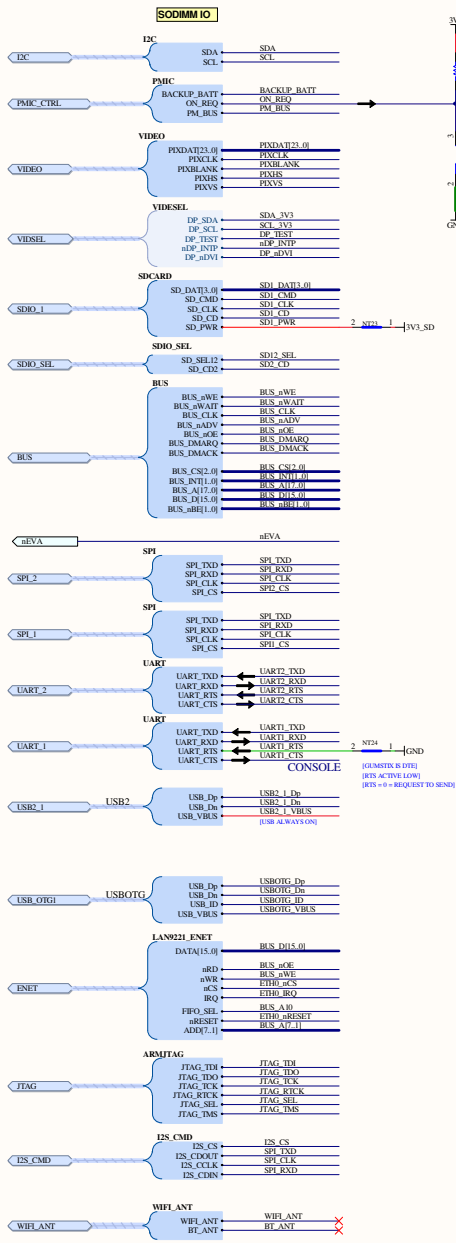
Title		
Size	Number	Revision
A4		
Date:	23/09/2011	Sheet of
File:	C:\SRKH\SOM04 - OMAP-3530\SOM_ID_SchDoc	By:

1

2

3

4



DEVICE ADDRESSES

SPI CHIP SELECTS (GPIO's)

SPI CS 1 : 174
 SPI CS 2 : 177
 I2S CMD CS : 23

VIDEO CONTROLLER (GPIO's)

VIDEO INTERRUPT : 151
 DVI (LOW) DP (HIGH) SELECT : 186

SD CARD CONTROLLER

SD1 (LOW) SD2 (HIGH) SELECT : 114
 SD CARD DETECT 1 : ???
 SD CARD DETECT 2 : 150

JTAG CONTROL

JTAG SELECT : GPIO10

POWER CONTROL

POWER OFF : GPIO22

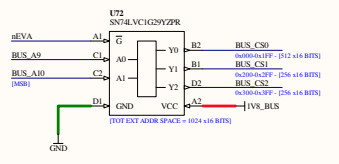
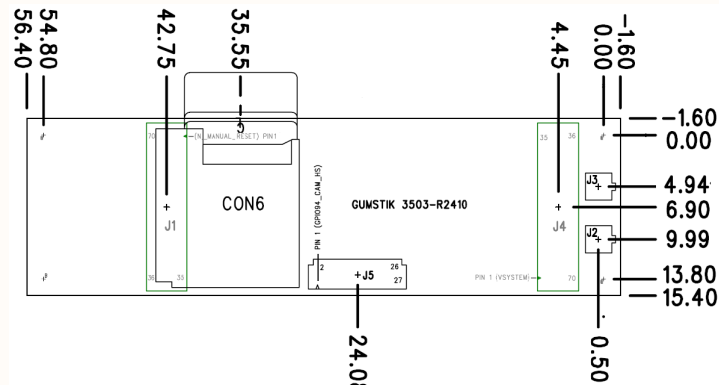
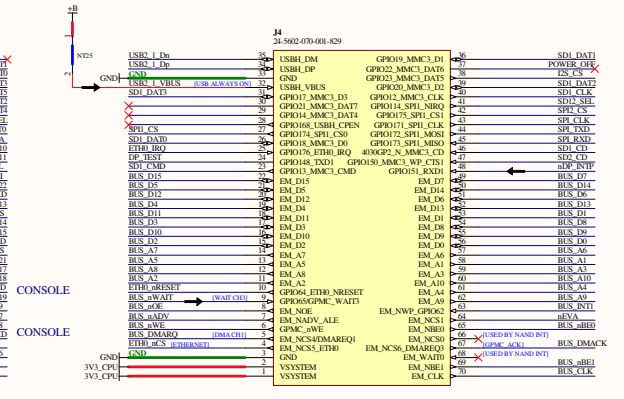
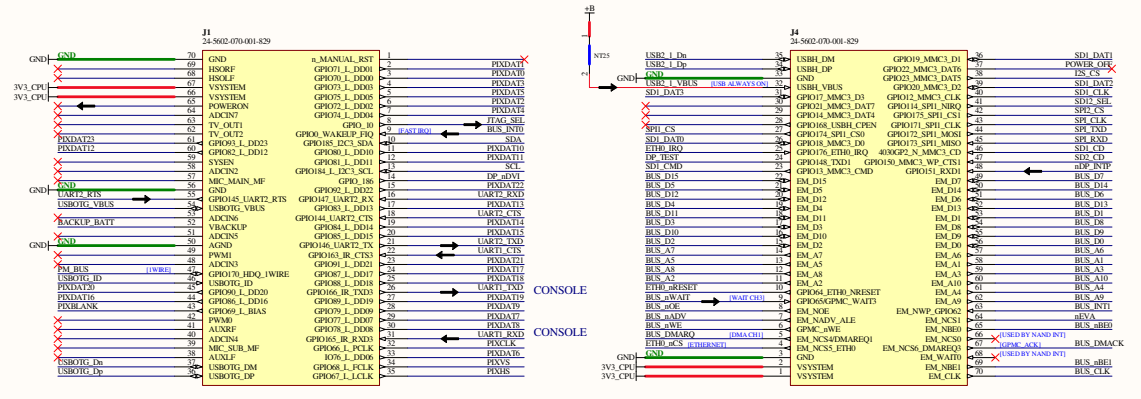
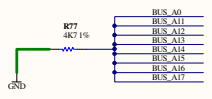
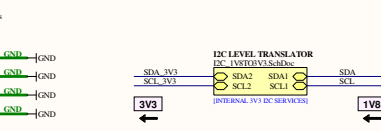
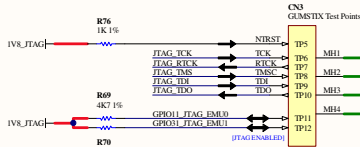
ETHERNET CONTROL

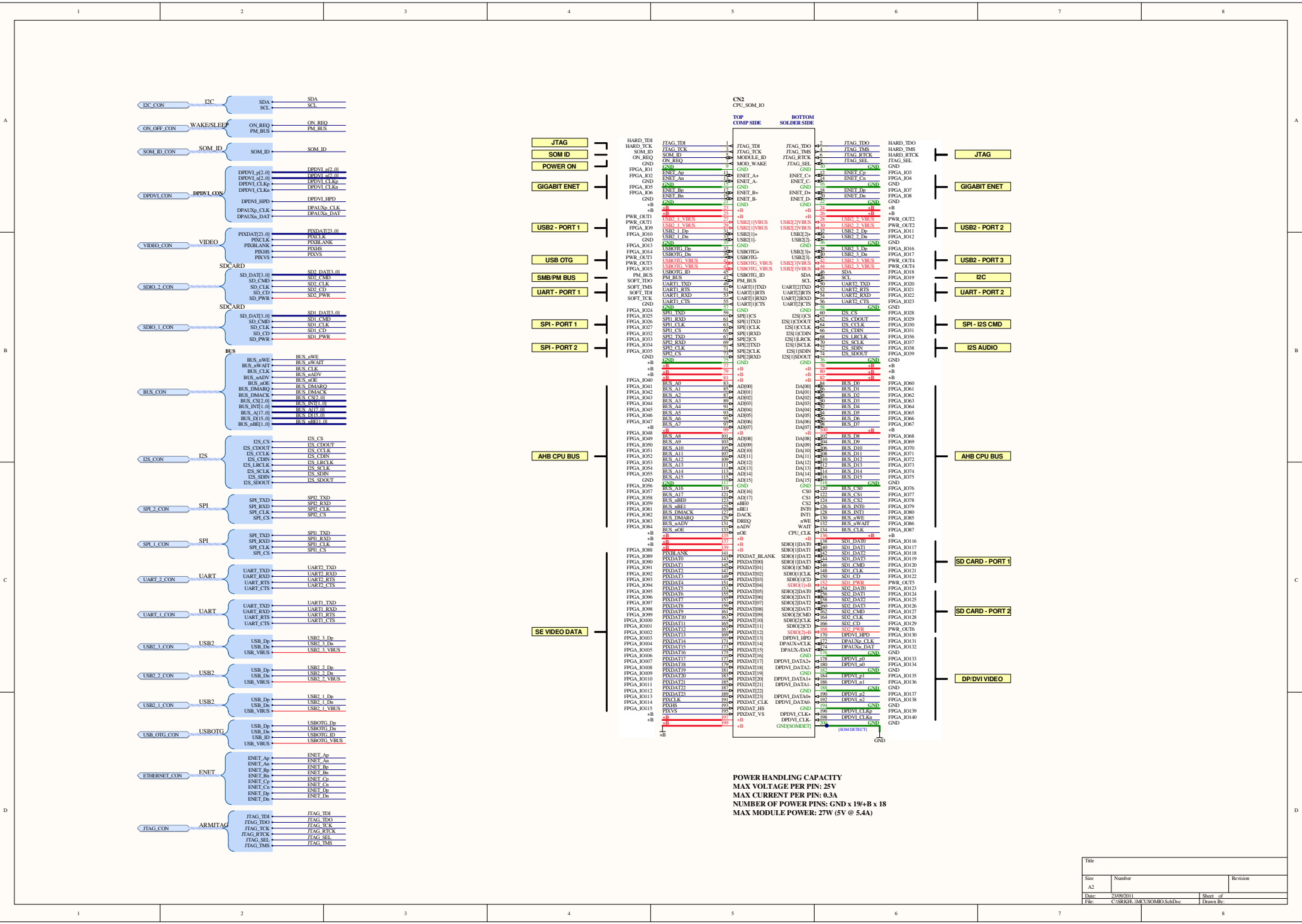
CHIP SELECT : CS5
 RESET (LOW) : GPIO64
 INTERRUPT (LOW) : GPIO176
 FIFO SELECT : A10

DMA (CHANNEL 1)

REQUEST : DMAREQ1

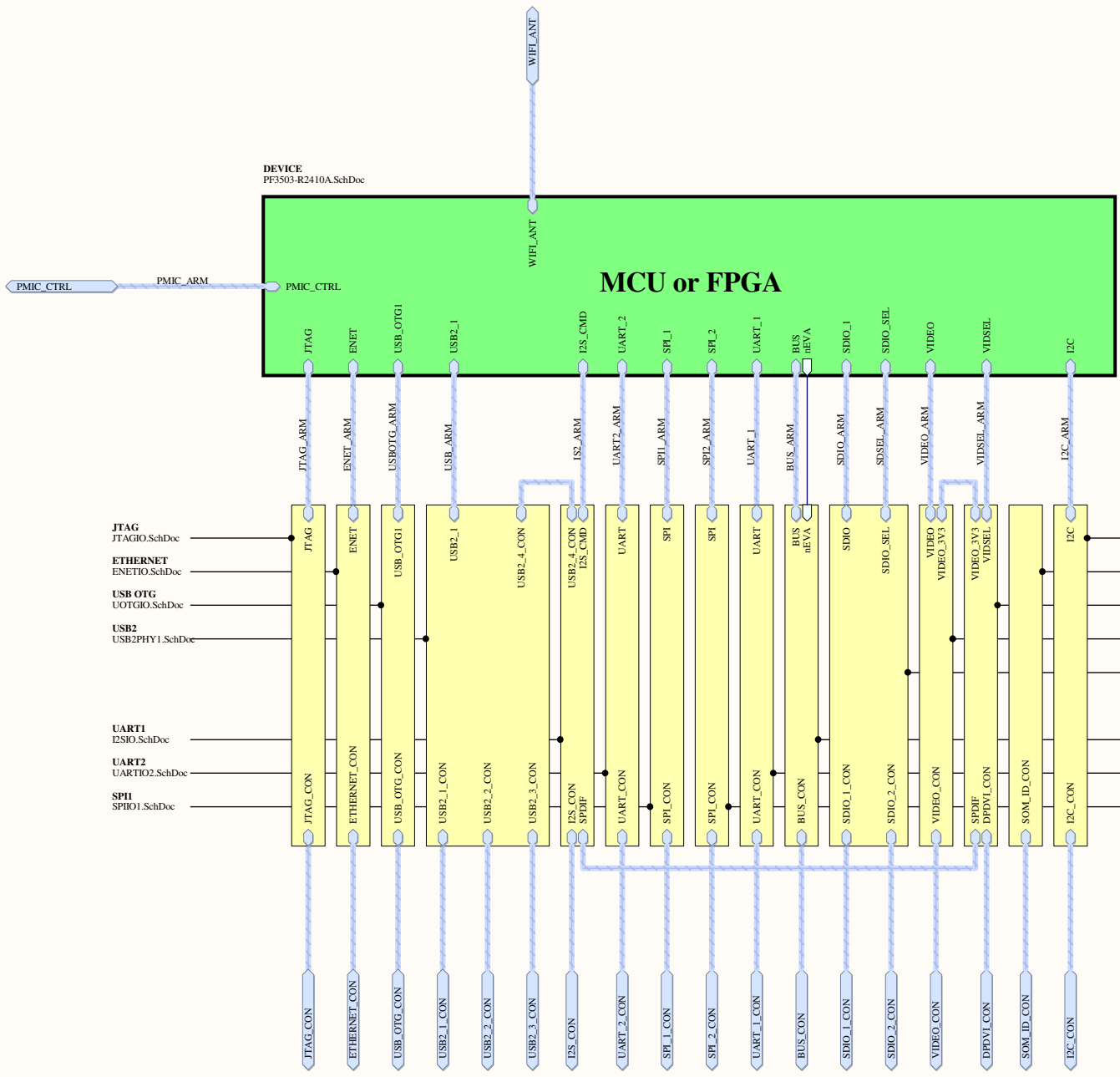
ACK : GPCSM - CS6





POWER HANDLING CAPACITY
 MAX VOLTAGE PER PIN: 25V
 MAX CURRENT PER PIN: 0.3A
 NUMBER OF POWER PINS: GND x 19 + B x 18
 MAX MODULE POWER: 27W (5V @ 5.4A)

Title		
Size	Number	Revision
A2		
Date:	3/10/2011	Sheet of
File:	C:\SRK\LA_MP\USOMIO_SchDoc	Drawn By:



DEVICE
PF3503-R2410A.SchDoc

MCU or FPGA

- JTAG
JTAGIO.SchDoc
- ETHERNET
ENETIO.SchDoc
- USB OTG
UOTGIO.SchDoc
- USB2
USB2PHY1.SchDoc
- UART1
I2SIO.SchDoc
- UART2
UARTIO2.SchDoc
- SPI1
SPIIO1.SchDoc

- I2C
I2CIO.SchDoc
- SOM ID
SOM_ID.SchDoc
- DISPLAY PORT DV1IO
DPDV1IO.SchDoc
- VIDEO
VIDEOIO.SchDoc
- SDIO
SDIOIO1.SchDoc
- BUS IO
BUSIO.SchDoc
- I2S
UARTIO1.SchDoc
- SPI2
SPIIO2.SchDoc

Title		
Size A3	Number	Revision
Date: 23/09/2011	Sheet of	
File: C:\SRKH\ACORE_DEVICE.SchDoc	Drawn By:	

1

2

3

4

A

A

B

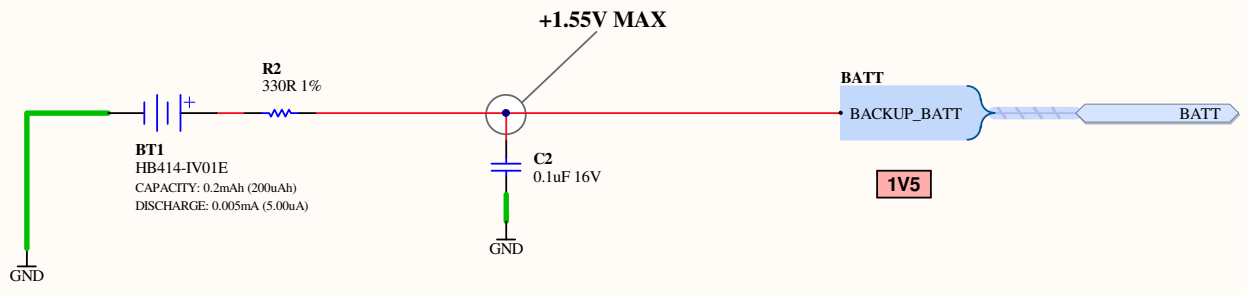
B

C

C

D

D



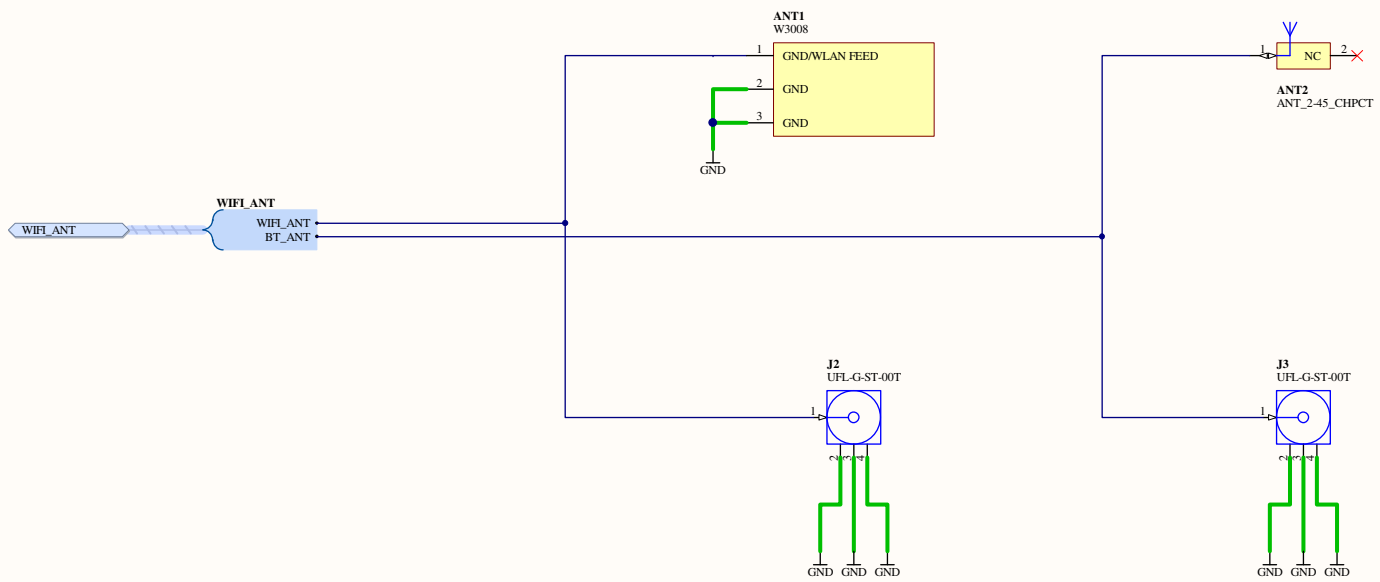
Title		
Size	Number	Revision
A4		
Date:	23/09/2011	Sheet of
File:	C:\SRKH\BATT_1220.SchDoc	Drawn By:

1

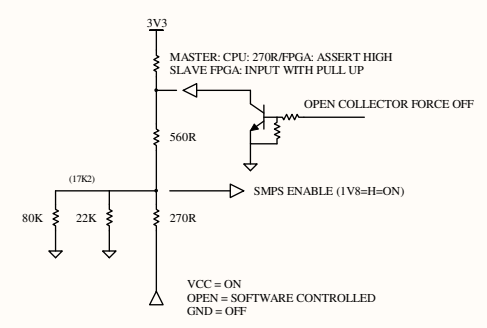
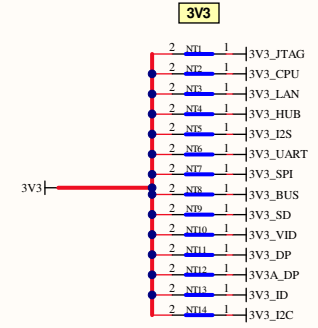
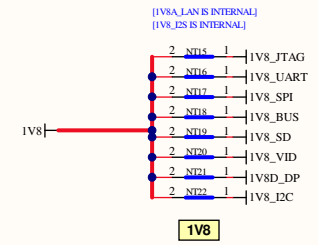
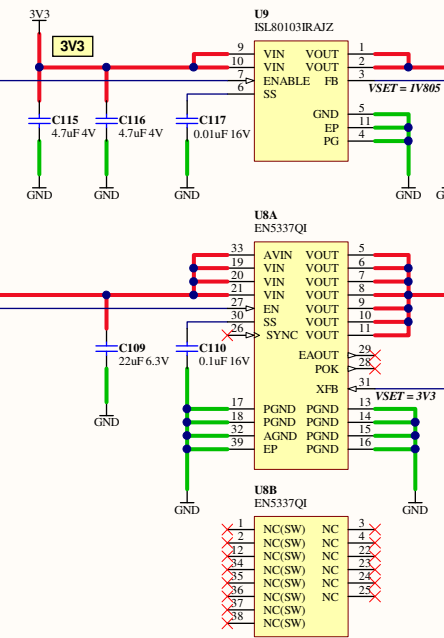
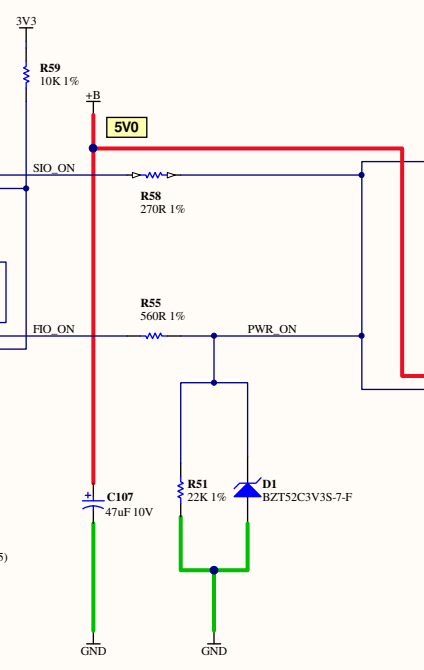
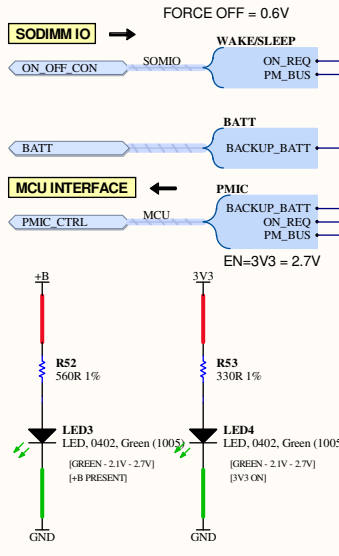
2

3

4



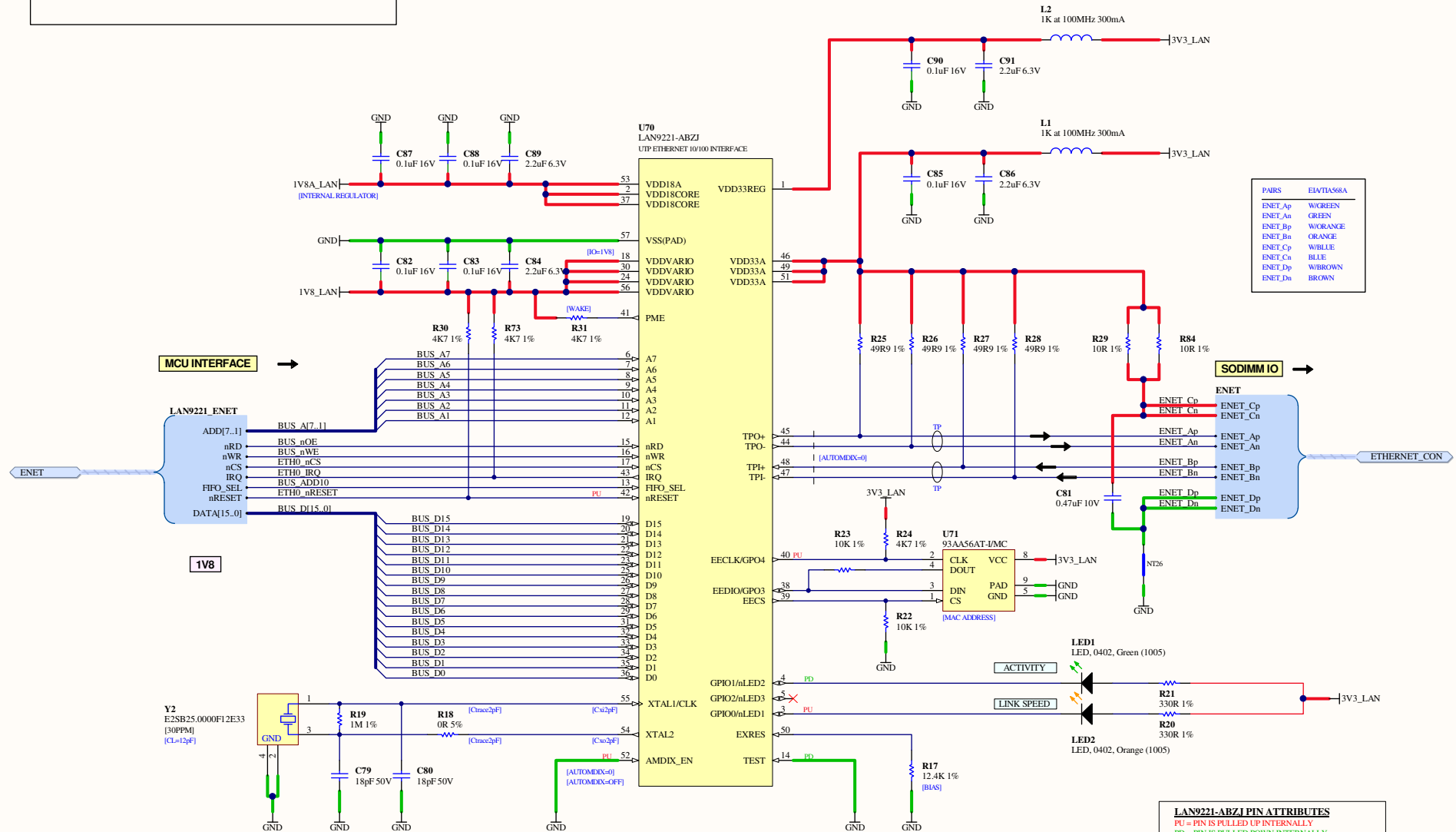
Title		
Size	Number	Revision
A3		
Date:	23/09/2011	Sheet of
File:	C:\SRKH\ANT_M830510.SchDoc	Drawn By:



COLLAPSED POWER DISTRIBUTION

LAN9221-ABZJ POWER CONSUMPTION

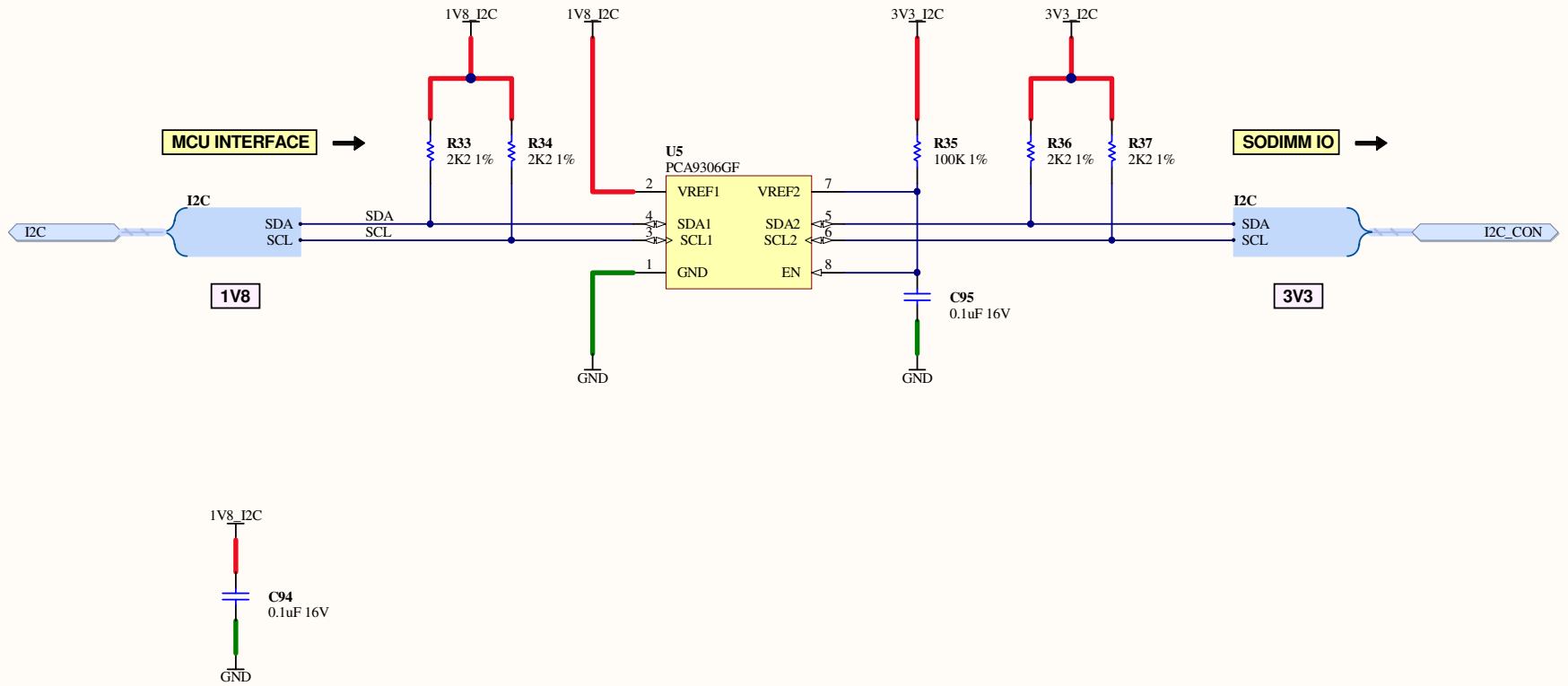
ACTIVE: VDDVARIO 12mA VDD33REG 85mA VDD33A 48mA



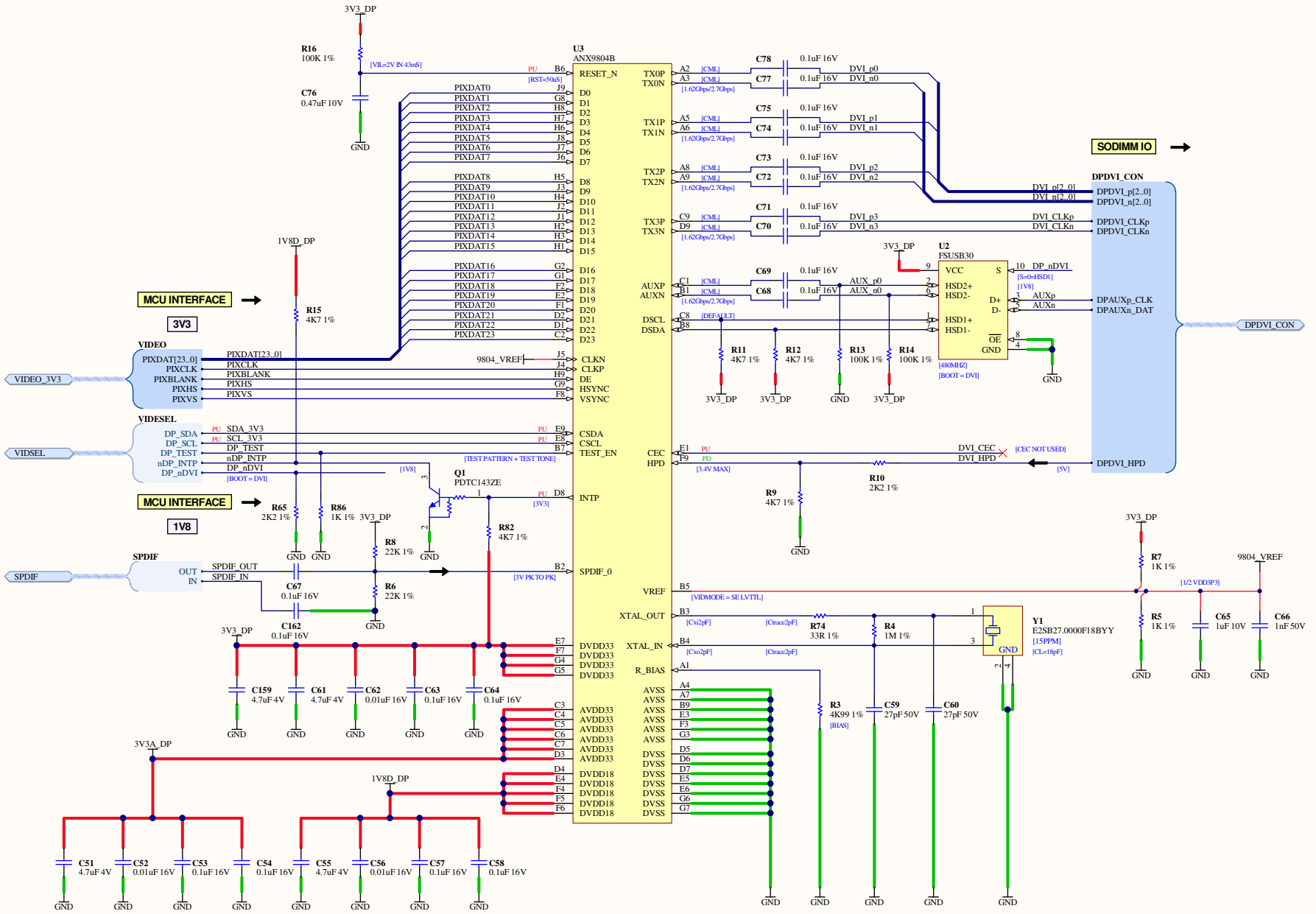
PAIRS	EIA/TIA568A
ENET_Ap	W/GREEN
ENET_An	GREEN
ENET_Bp	W/ORANGE
ENET_Bn	ORANGE
ENET_Cp	W/BLUE
ENET_Cn	BLUE
ENET_Dp	W/BROWN
ENET_Dn	BROWN

LAN9221-ABZJ PIN ATTRIBUTES
 PU = PIN IS PULLED UP INTERNALLY
 PD = PIN IS PULLED DOWN INTERNALLY

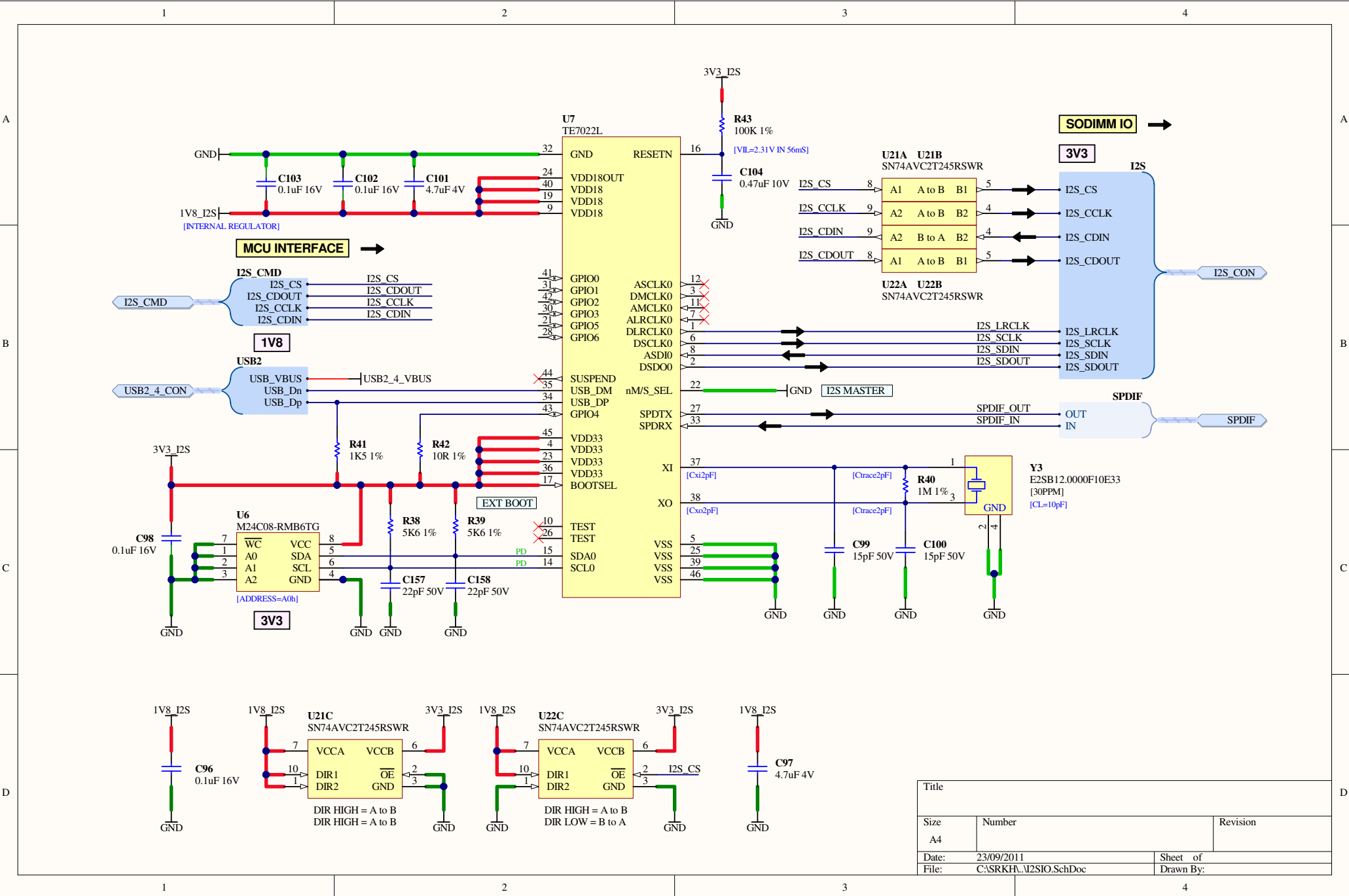
Title		
Size	Number	Revision
A3		
Date:	23/09/2011	Sheet of
File:	C:\SRKH\ENETIO.SchDoc	Drawn By:



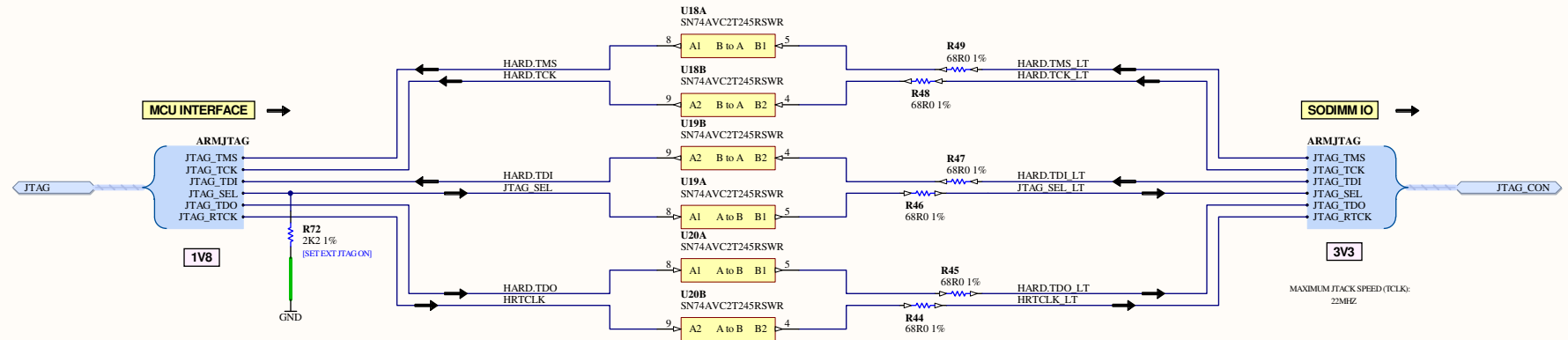
Title		
Size A4	Number	Revision
Date: 23/09/2011	Sheet of	
File: C:\SRKH\A2CIO.SchDoc	Drawn By:	



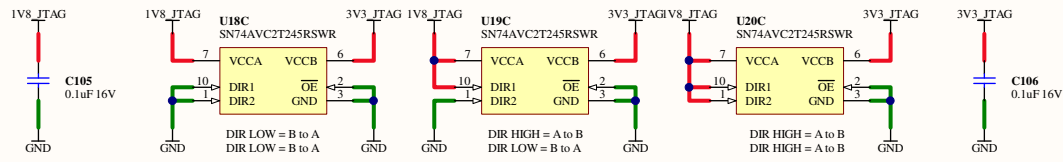
Title		
Size	Number	Revision
Date:	23/09/2011	Sheet of
File:	C:\SRKH\ADPDVIO.SchDoc	Drawn By:



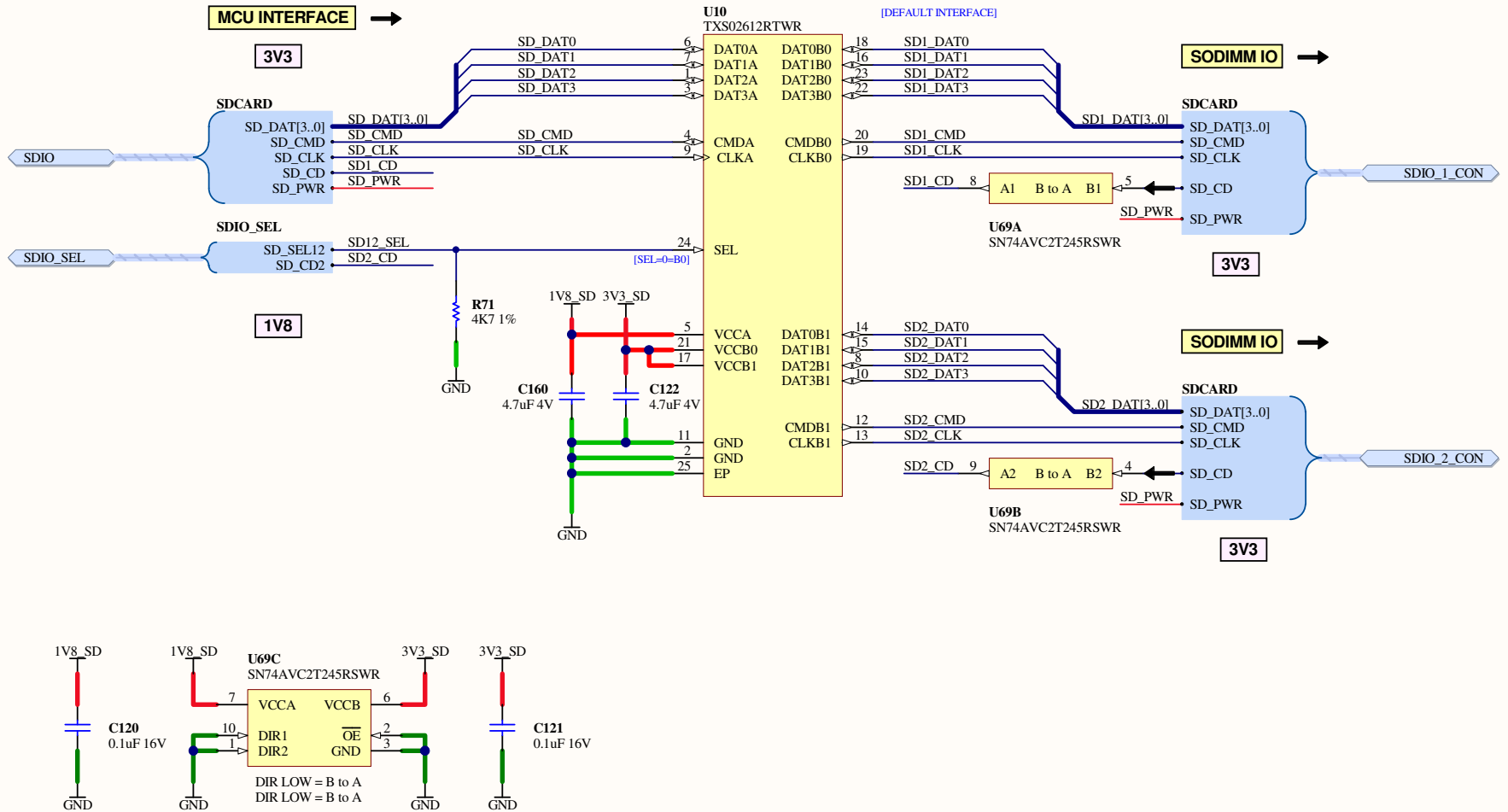
Title		
Size	Number	Revision
A4		
Date:	23/09/2011	Sheet of
File:	C:\SRKH_V2SIO.SchDoc	Drawn By:



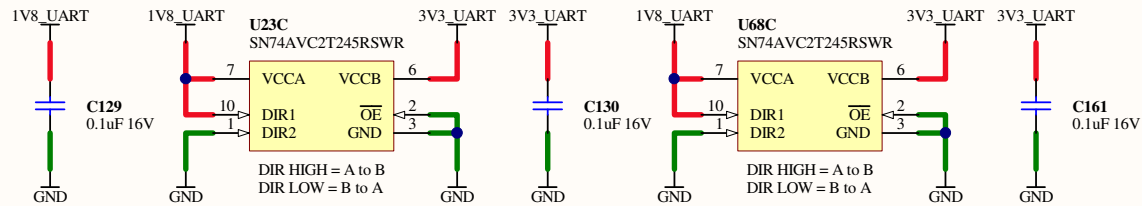
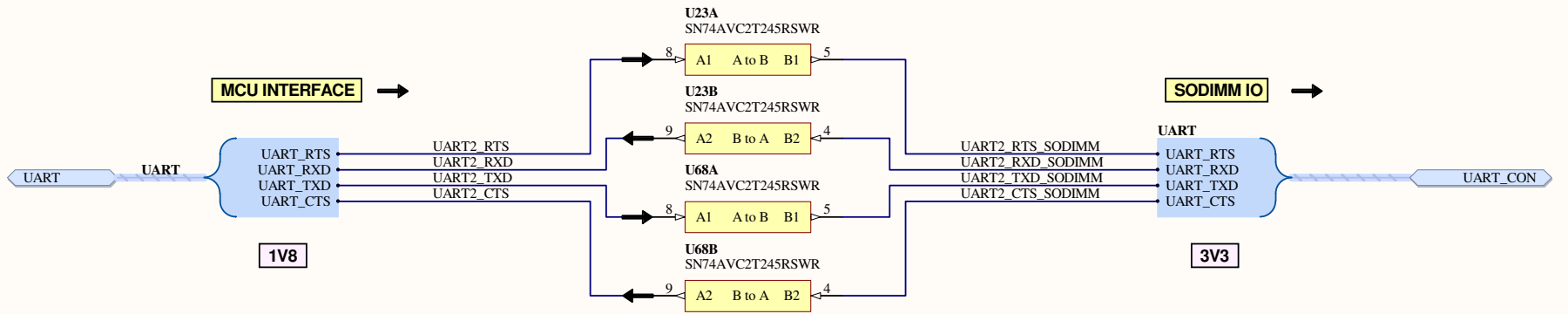
MAXIMUM JTAG SPEED (TCLK):
22MBZ



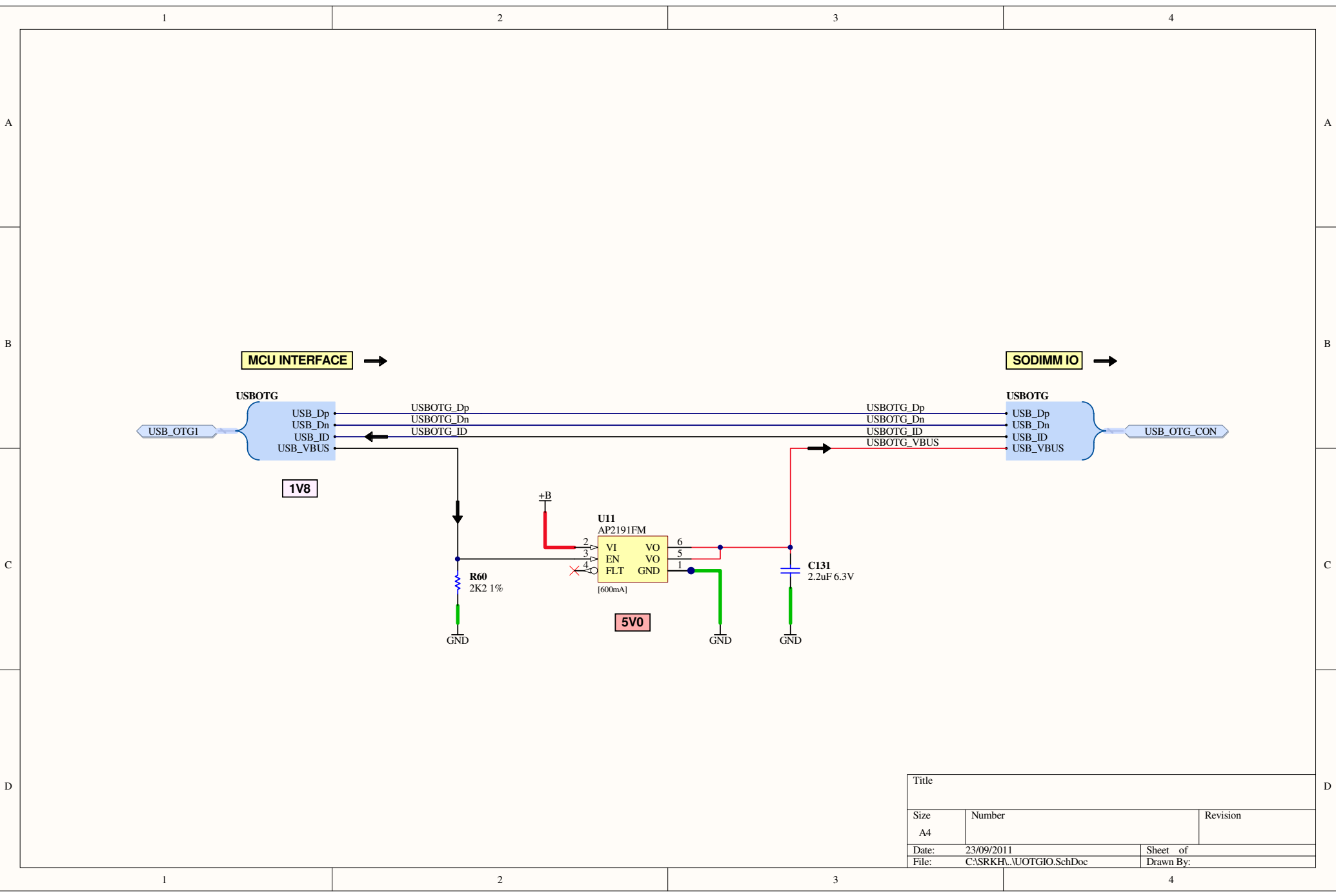
Title		
Size	Number	Revision
A3		
Date:	23/09/2011	Sheet of
File:	C:\SRKH\JTAGIO.SchDoc	Drawn By:



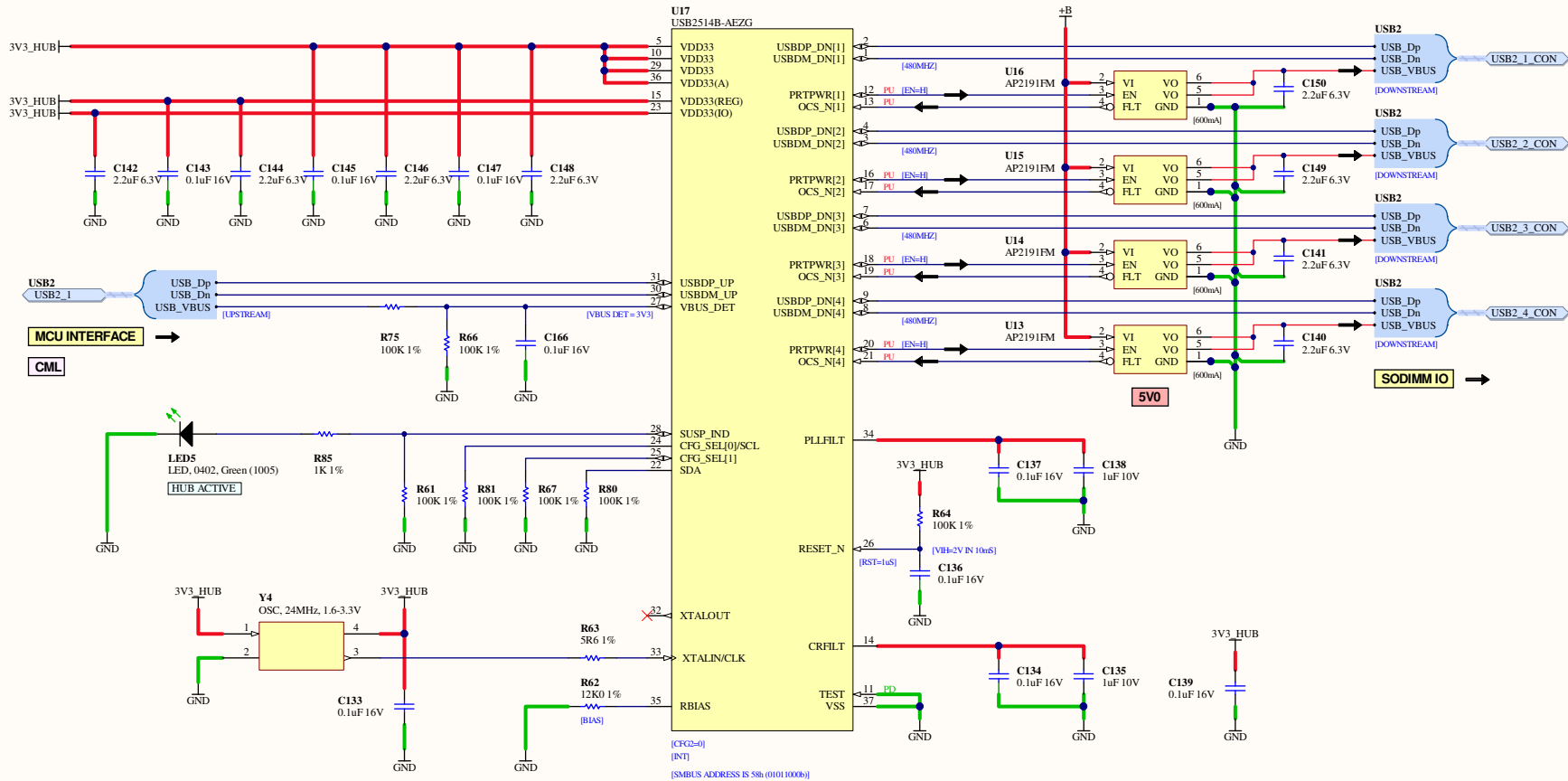
Title		
Size	Number	Revision
A4		
Date:	23/09/2011	Sheet of
File:	C:\SRKH\SDIOIO1.SchDoc	Drawn By:



Title		
Size	Number	Revision
A4		
Date:	23/09/2011	Sheet of
File:	C:\SRKH\UARTIO2.SchDoc	Drawn By:



Title		
Size	Number	Revision
A4		
Date:	23/09/2011	Sheet of
File:	C:\SRKH\UOTGIO.SchDoc	Drawn By:



USB2514B-AEZG POWER CONSUMPTION

OFF:	VCC 10uA	VCC(IO) 10uA
STANDBY:	VCC 19mA	VCC(IO) 10uA
ACTIVE:	VCC 48mA	VCC(IO) 10uA

USB2514 CONFIGURATION

CFG2[11][0] = [0][0][1]

CONFIGURED AS SMBUS SLAVE

STRAP OPTIONS DISABLED

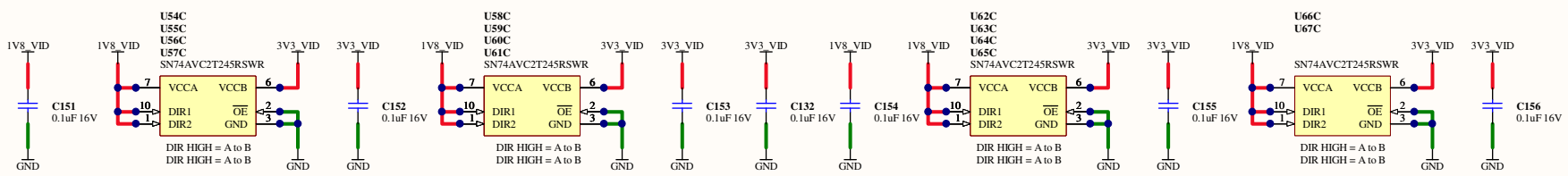
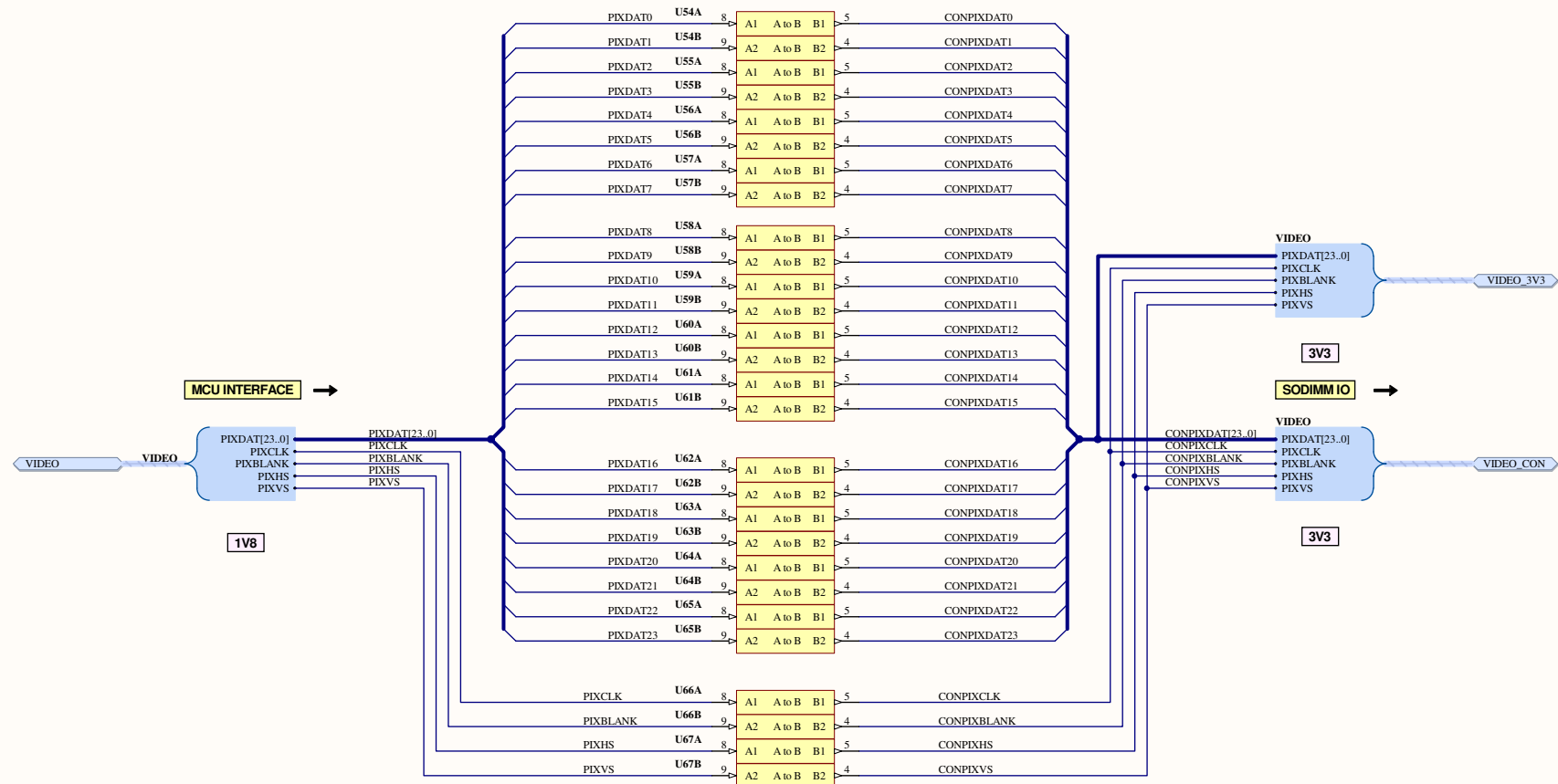
ALL SETTINGS CONTROLLED BY USER

USB2514B-AEZG PIN ATTRIBUTES

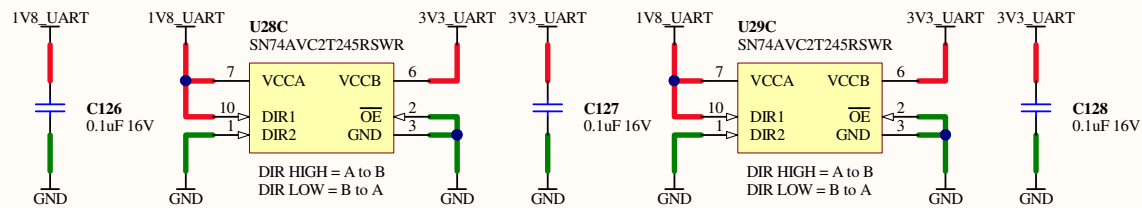
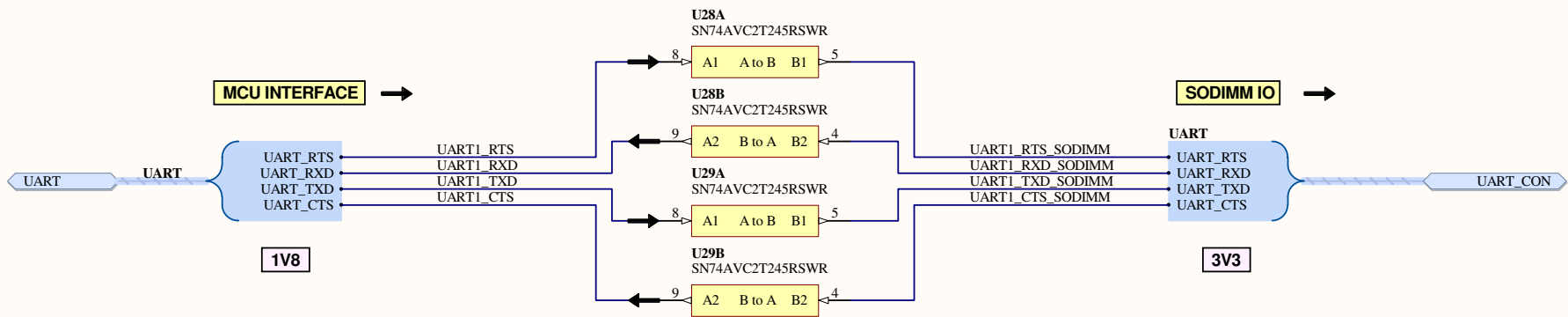
PU = PIN IS PULLED UP INTERNALLY

PD = PIN IS PULLED DOWN INTERNALLY

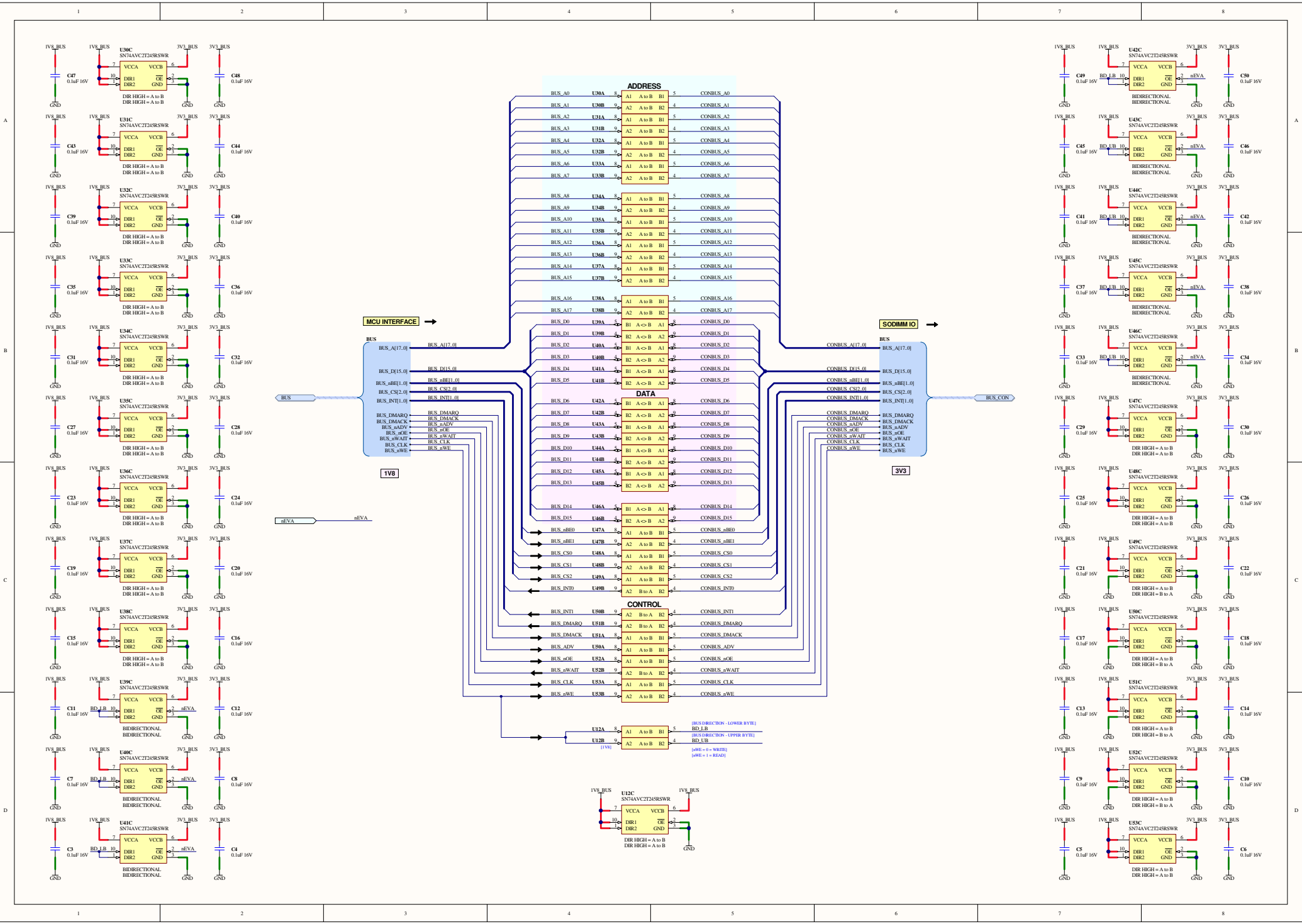
Title		
Size	Number	Revision
A3		
Date:	23/09/2011	Sheet of
File:	C:\SRKH\USB2PHY1.SchDoc	Drawn By:



Title		
Size	Number	Revision
A3		
Date:	23/09/2011	Sheet of
File:	C:\SRKH\VIDEOIO.SchDoc	Drawn By:



Title		
Size	Number	Revision
A4		
Date:	23/09/2011	Sheet of
File:	C:\SRKH\UARTIO1.SchDoc	Drawn By:



1

2

3

4

A

A

B

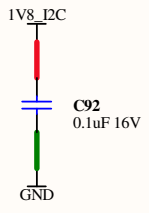
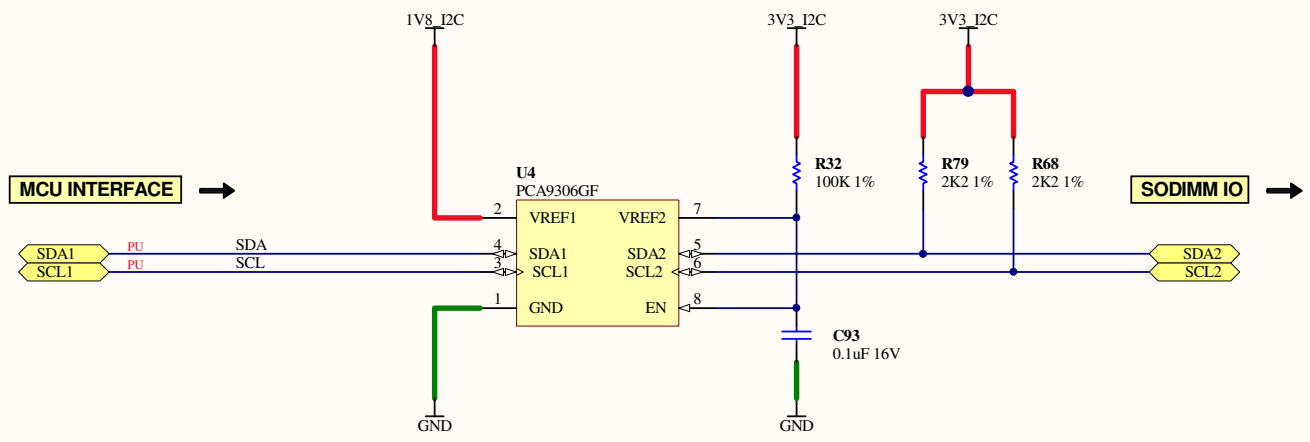
B

C

C

D

D



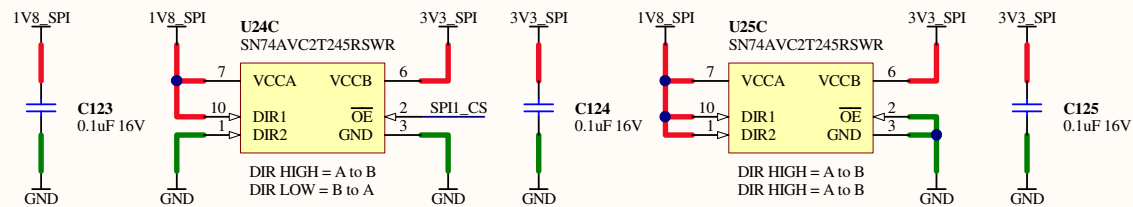
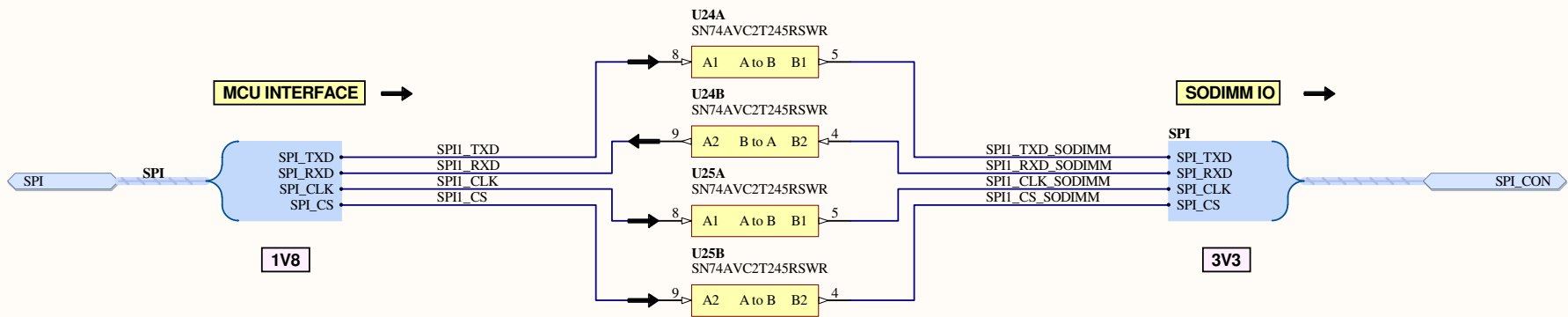
Title		
Size	Number	Revision
A4		
Date:	23/09/2011	Sheet of
File:	C:\SRKH\I2C_1V8TO3V3.SchDoc	Drawn By:

1

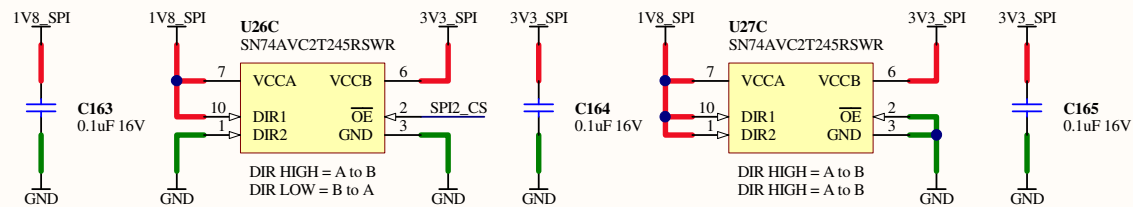
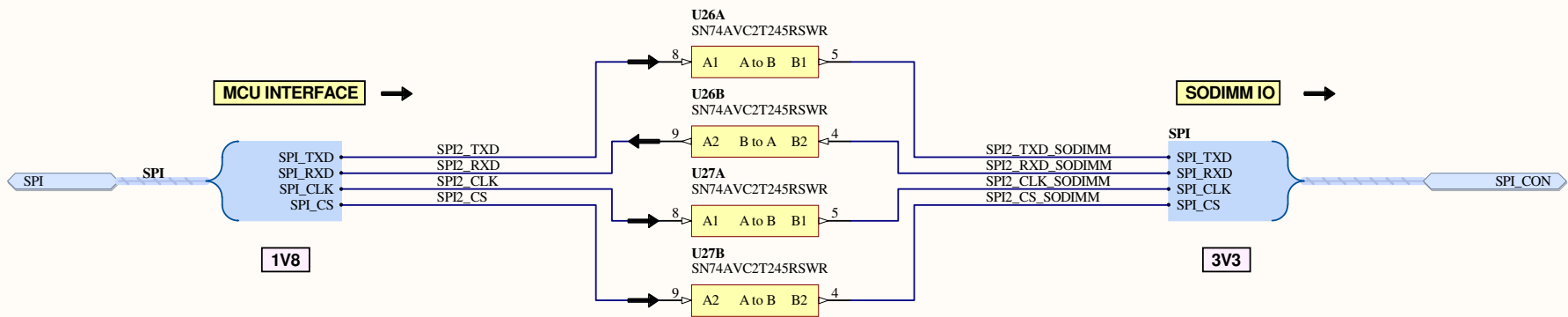
2

3

4



Title		
Size	Number	Revision
A4		
Date:	23/09/2011	Sheet of
File:	C:\SRKH\ASPHIO1.SchDoc	Drawn By:



Title		
Size	Number	Revision
A4		
Date:	23/09/2011	Sheet of
File:	C:\SRKH\ASPIO2.SchDoc	Drawn By: